



Auto Care USA

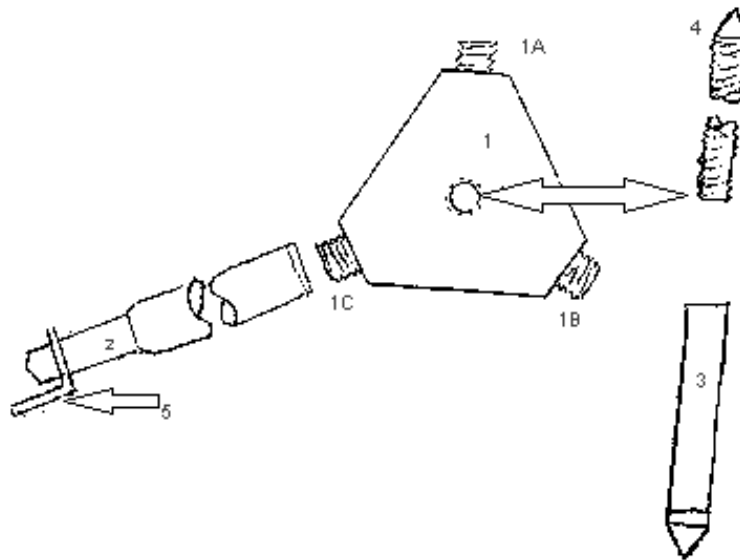
a division of Northwest Equipment Manufacturing, Inc.
122 East Reserve Dr. • Kalispell, MT 59901 USA
• Office: 406-755-0805 • Fax: 406-755-0813
nwEquipmentSales.com



Reach us at: 877-349-2327 or 406-755-0805

Instructions For Use of Tandem Tracker System

1. Clean the wheels to be measured.
2. Place the Tandem Tracker against the wheel, centering the **Hub Threaded Pointer No. 4** on the center of the wheel hub. The **threaded pointer No. 4** should be adjusted to make contact with the approximate center of the hub.
3. Place the **rim support assemblies no. 2** on the rims compressing the springs so that the **rim holding tabs no. 5** fit over and against the wheel rim. Center the **Rim Hub threaded pointer no. 4** on the wheel hub. Adjust the **measuring rod pointer no. 3** to full hand tight contact with the **centering hub no. 1**.
4. Install the second **tandem tracker** on the opposite site of the trailer in the same way.
5. Using a tape, measure from the **kingpin extension** to the point on the **measuring rod pointer no. 3** on one side of the trailer.
6. Repeat measurement on opposite side of the trailer.
7. Compare distances and make adjustments accordingly.



Please feel free to call us with any questions regarding the purchase or use of this equipment.